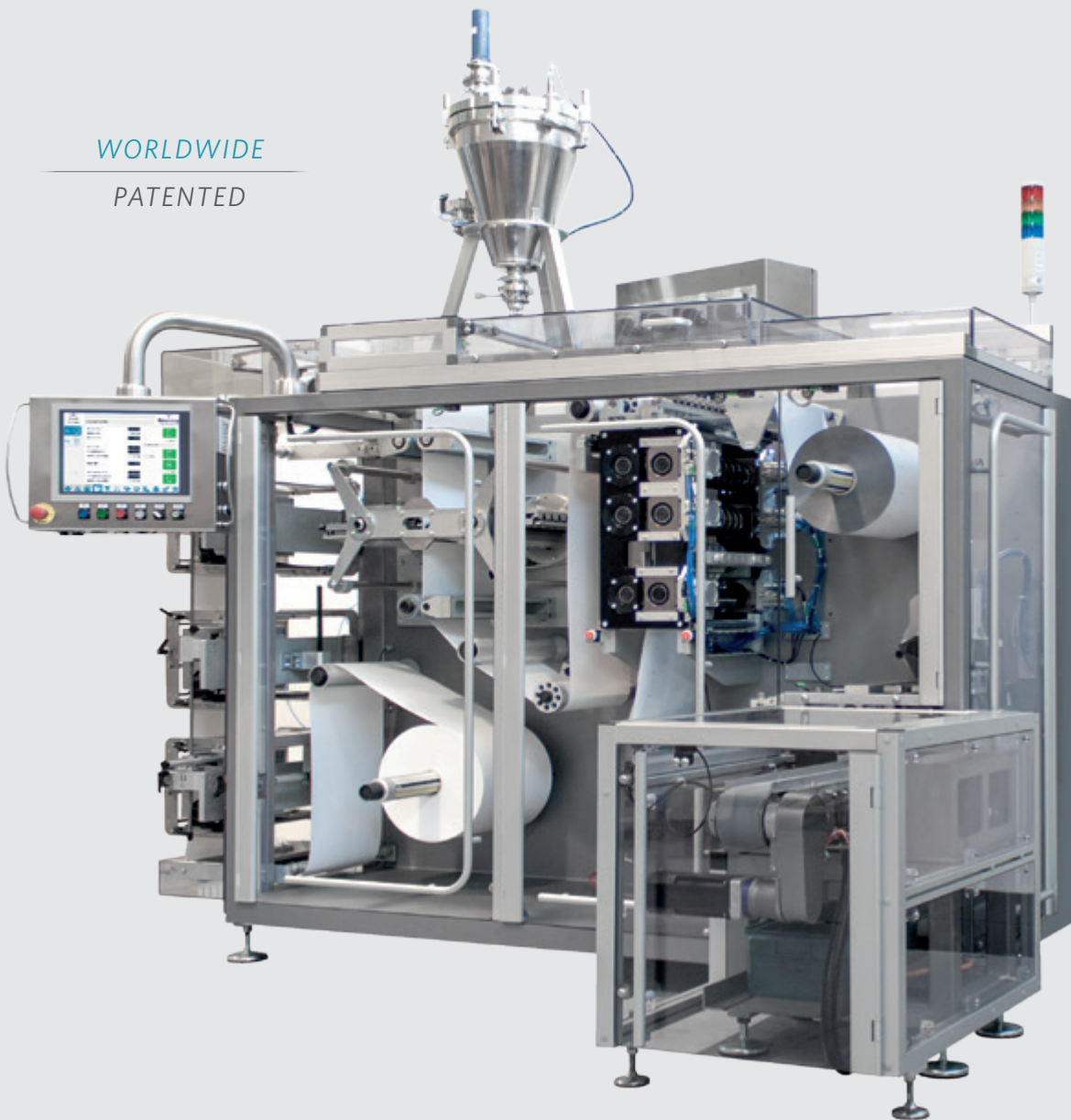


# PULSAR 351

## EASYSNAP PULSAR 351 OVERVIEW

WORLDWIDE

PATENTED



Pulsar 351 is the only one hand opening/dispensing worldwide patented Easysnap<sup>®</sup> machine, for food, cosmetics, pharma, medical and chemical industry.

- ✓ From 4 to 8 lanes;
- ✓ Only one reel size (351 mm) for all plastic film supplies;
- ✓ Fast conversion for various settings;
- ✓ Filling systems for any kind of liquids and suitable for all markets segment;
- ✓ Up to 320 easysnap/minute (40 cycles per minute, 8 lanes)
- ✓ Designed for Easysnap<sup>®</sup> size and volume up from 0,1 to 30 ml;
- ✓ Pick & place and inline thermal transfer groups available;



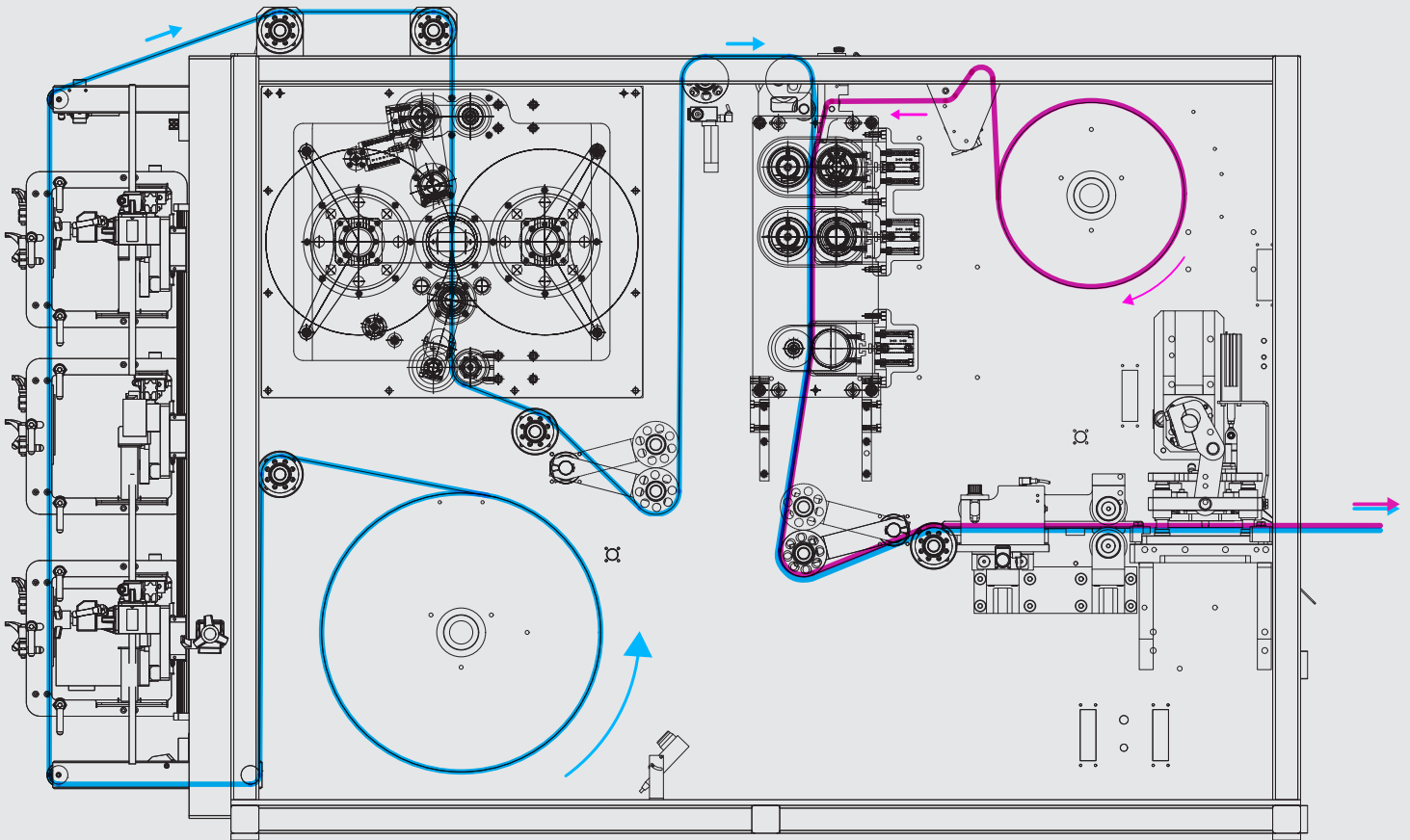
# PULSAR 351

## EASYSNAP PULSAR 351 FILM FLOW

with thermal transfer print

● Top Film Unwinding

● Bottom Film Unwinding



### TECHNICAL DATA SHEET

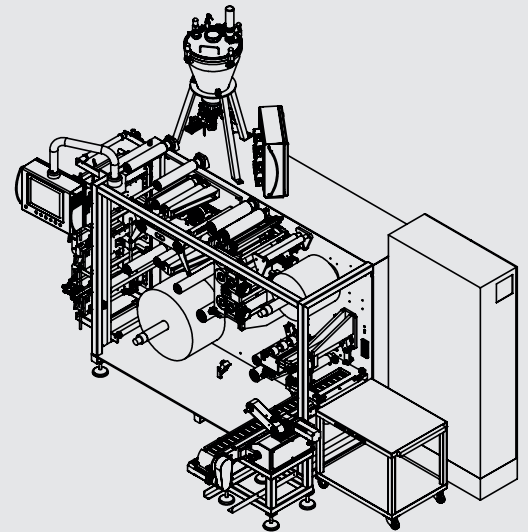
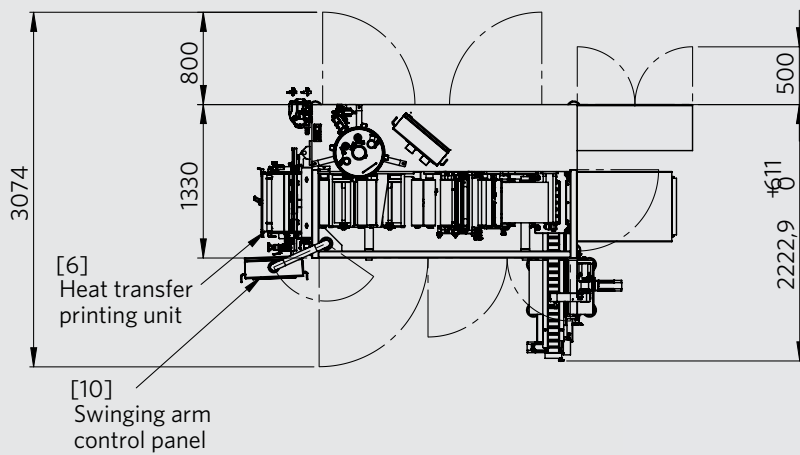
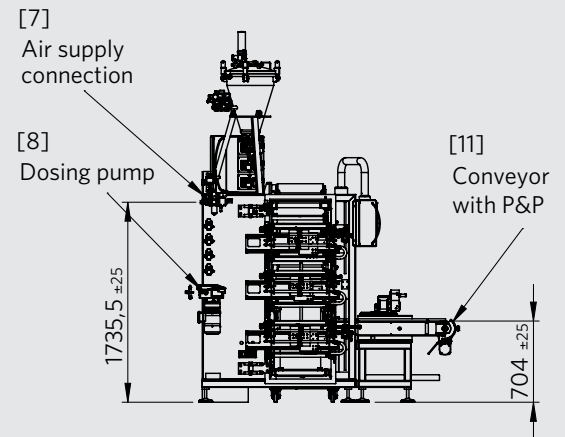
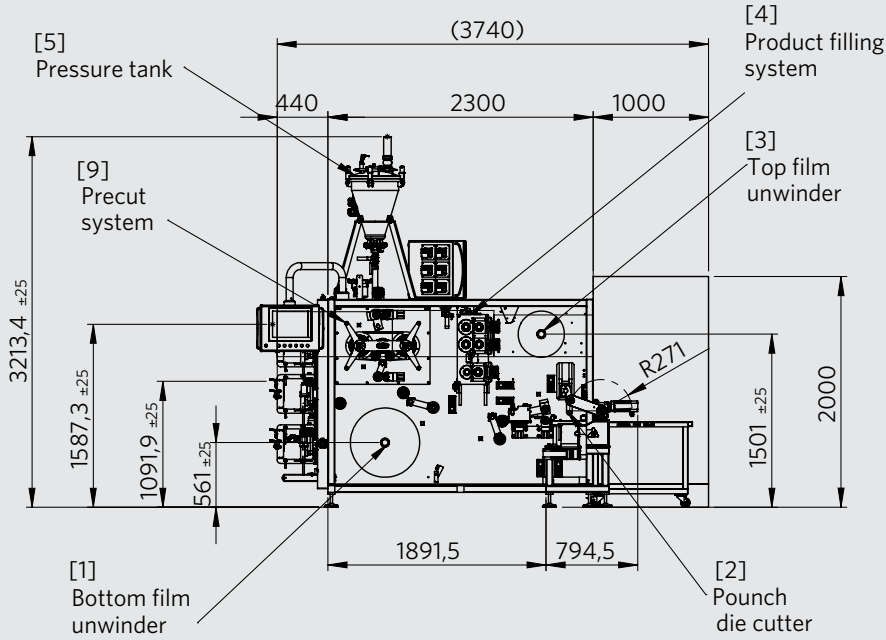
Easysnap Machine Model	PULSAR 351
Production capacity:	Up to 320 easysnap/minute (on 8 lanes)
Installed Power:	22 Kw
Air Consumption:	600 NI/minute
Changeover side time:	45 minutes
Machine weight:	2.800 Kg
Max film reels dimensions and weights:	Rigid film on left reel diam 600 mm. (max 100 kg) Flexible film on right reel diam. 400 mm. (max 100 kg)
Machine colour:	Ral 9007
Electricals:	400V - 3 phase + Ground 50Hz IP55
HMI:	Panel PC 15" Touch Screen



# PULSAR 351

## TECHNICAL OVERVIEW

with thermal transfer print



## MACHINE GROUPS

- |                           |                                |                                |
|---------------------------|--------------------------------|--------------------------------|
| 1. Bottom film unwinder   | 5. Pressure tank               | 9. Precut system               |
| 2. Pouch die cutter       | 6. Heat transfer printing unit | 10. Swinging arm control panel |
| 3. Top film unwinder      | 7. Air supply connection       | 11. Conveyor with P&P          |
| 4. Product filling system | 8. Dosing pump                 |                                |

